

Shinhoo[®]

Instant S circulator pumps Installation and Operating Instruction



Anhui Shinhoo Canned Motor Pump Co.,Ltd

CONTENTS.

Notes	Page.
1. Safety instructions	6
2. Transportation and storage	6
3. Meaning of symbols and inscriptions	7
4. General information about product	7
Type Instructions	7
Nameplate Instructions	8
Control Panel	9
5. Packing and moving	9
Packaging	9
Moving	10
6. Area of application	10
Pumped fluids	10
7. Principle of action	11
8. Mechanical installation	11
Location installation	11
Pump housing	12
9. Connection of electrical equipment	13
Schematic diagram for Installing Temperature Controlled Plug	13
Schematic diagram for Installing Battery	13
Electrical Connection	14
10. Commissioning	15
Trouble-Shooting Schedule	15
11. Operation	16
The constant speed running mode	16
The auto operation mode	16
Temperature control mode	16
Timing mode	16
Flushing function	17
Key pressing specification	17
Indication lamp area of power consumption of motor pump	19

CONTENTS.

	Page.
12. Technical data	21
13. Installation Dimensions	22
Product warranty book of Anhui Shinhoo	15

Notes:

- Read the installation manual carefully before installation and use.
- The manufacturer will not be liable for any personal injury, motor pump damage and other property damage due to failure to comply with contents specified in safety warning signs.
- The installers and operators must comply with local safety regulations.
- The user must confirm that only qualified personnel with professional certification and proficiency of this manual is allowed to install and maintain this product.
- The microcirculation series energy-saving pipe canned motor pump (also called in abbreviation of “motor pump”) must not be installed in a place that is damp or may be splashed by water.
- For convenient access of maintenance, a shut-off valve shall be installed on each side of inlet and outlet of the motor pump.
- The power supply of the motor pump shall be cut off before installation and maintenance.
- For circulation of domestic hot water, copper or stainless steel motor pump body shall be used.
- Heat supply pipelines shall not be frequently filled with non-softened water so as to avoid increasing calcium in the circulating water inside the pipeline, which may thus block the impeller.
- Do not start the motor pump without pumping liquid.
- Some models are not suitable for pumping drinking water.
- Motor pump liquid may be high-temperature and high-pressure; therefore, the liquid in the system must be completely drained or the shut-off valves on both sides must be closed before moving and dismantling the motor pump to prevent burning.
- Ventilation must be ensured in summer or high ambient temperature period to avoid condensation that may cause electrical malfunctions.
- If in winter, the pump system does not work or when the ambient temperature drops below 0 °C, liquid in the piping system shall be completely drained so as to avoid frost cracking of motor pump body.

- If the motor pump is left unused for a long time, please close the pipe valve in the inlet and outlet of the pump and cut off the power supply of pump.
- If the flexible cord of cable is damaged, it must be replaced by a qualified person.
- Please close the valve at the inlet of motor pump and cut off power of the motor pump immediately if overheating and abnormality of motor is detected, and contact your vendor or service center immediately.
- If trouble cannot be addressed according to the manual, please close the valves on the inlet and outlet of the motor pump immediately, cut off power supply of the motor pump and contact your vendor or service center immediately.
- This product shall be put in a place out of reach of children. After installation, take an isolation measures to avoid access of children.
- This product shall be stored in a dry, well ventilated and cool place under room temperature.
- This appliance can be used by children aged from 8 years and above and persons with reduced physical, sensory or mental capabilities or lack of experience and knowledge if they have been given supervision or instruction concerning use of the appliance in a safe way and understand the hazards involved. Children shall not play with the appliance. Cleaning and user maintenance shall not be made by children without supervision.



Warning

Before starting installation, the Installation and Operating Instructions of device must be read carefully. Installation and use of the device must comply with local regulations and follow good operation specification.



Warning

Those who have weak physical strength, react slowly and lack experience and knowledge (including children) can use this motor pump only under the monitoring and direction of his/her safety personnel.

1. Safety instructions



Warning

Failure to comply with this safety instruction may lead to personal injury!

Caution

Failure to comply with this safety instruction may lead to equipment malfunction or damage!

Note

Note or instruction for easy and safe operations.

2. Transportation and storage

The equipment should be transported in covered wagons, closed cars, by air, river or sea transport.

During transportation, the packed equipment must be securely fastened to the means of transportation to prevent unintentional movement.

The maximum prescribed storage period is 2 years. No preservation is required during the entire storage period.

Storage and transportation temperature (in empty state) min - 30°C; max + 60°C.

3. Meaning of symbols and inscriptions



Warning

Non-observance of these instructions can have dangerous consequences for human health.

Attention

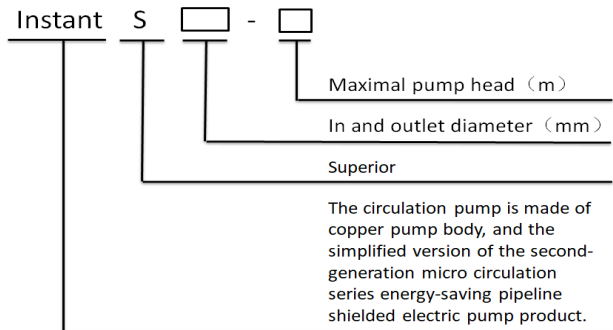
Safety instructions which, if not followed, may cause equipment failure, as well as damage to it.

Attention

Recommendations or instructions to facilitate work and ensure safe operation.

4. General information about product

Type Instructions



Model Example: Instant S 15-1.5 means the inlet and outlet diameter of pump are DN15 with 1.5 meters of maximum head.

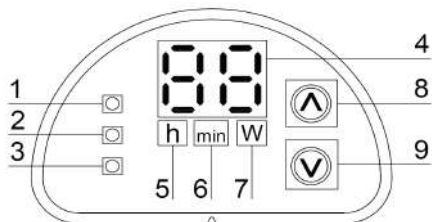
Nameplate Instructions



For domestic hot water, it is suggested that water temperature should remains below 65 °C to reduce scaling.

No.	Descriptions
1	Product Model
2	Frequency (Hz)
3	Max Current (Amp)
4	Degree of protection
5	Maximum system load bearing (MPa)
6	unrecyclable label
7	Authentication mark
8	Temperature class
9	Insulation class
10	Power (Watt)Maximum mode maximum input power P1
11	Voltage (v)

Control Panel



Position	Descriptions
1	Indicating constant speed running mode
2	Indicating Auto operation mode
3	Indicating temperature control mode
4	1.Power indicated 2.running (or stop) time indicated in timing mode
5	Running (or stop) hours setting in timing mode for display
6	Running (or stop) minutes setting in timing mode for display
7	Power unit shown under normal operation
8	1. Switch on various running modes 2. Increasing time in timing mode
9	Decreasing time in timing mode

5. Packing and moving

Packaging

Upon receipt of the equipment, inspect the packaging and the equipment itself for any damage that may have occurred during transportation. Before disposing of the packaging, carefully check for any documents or small parts that may have been left behind. If the equipment received does not match your order, contact to the equipment supplier.

If the equipment is damaged in transit, contact the shipping company immediately and notify the equipment supplier.
The supplier reserves the right to thoroughly inspect possible damage.

Moving



Warning

Local code restrictions for manual lifting and loading and unloading operations must be observed.



Do not lift the pump by the supply cable.

6. Area of application

Instant S pumps (hereinafter referred to as pumps) are designed for circulation of liquids in heating systems.
The motor speed can be controlled either by the built-in control modes.

Pumped fluids

In heating systems, water must meet the requirements of the heating unit mains water quality standards, e.g.

The pump is suitable for pumping the following liquids:

- Low-viscosity, clean, non-aggressive and non-explosive liquids without solid and long-fiber inclusions.
- The pH value of the pumped liquid must be between 8.2 and 9.5. The minimum value depends on the hardness of the water and must not be lower than 7.4 at 4° dH (0.712 mmol/l).
- Electrical conductivity at 25 °C should be $\geq 10 \mu\text{S}/\text{cm}$

The kinematic viscosity of water is $\nu = 1 \text{ mm}^2/\text{s}$ (1 cSt) at 20 °C. If the pump is used to pump liquids with a higher viscosity, the pump performance will be reduced.

Example: The viscosity of a pumped liquid containing 50% glycol at 20°C is approximately 10 mm²/sec (10 cSt), which reduces the pump

capacity by about 15%.

Do not use impurities that may adversely affect the operation of the pump.

The viscosity of the pumped liquid must be taken into account when selecting the pump.



Warning

Do not use the pump for pumping flammable liquids such as diesel fuel, gasoline and other similar liquids.



Warning

Do not use the pump for pumping aggressive liquids such as acids and seawater.

7. Principle of action

The Instant S pumps work by increasing the pressure of the liquid moving from the inlet connection.

The liquid flows through the pump inlet into the rotating impeller.

The centrifugal forces increase the speed of the liquid.

The increasing kinetic energy of the fluid is converted into increased pressure at the outlet.

The rotation of the impeller is provided by an electric motor.

8. Mechanical installation

Location installation

The pumps are intended for indoor installation without danger of external or atmospheric influences. The operating conditions must comply with the requirements of 12. Technical data.

The pumps must be installed in dry conditions, without danger of getting wet, e.g. from surrounding equipment.

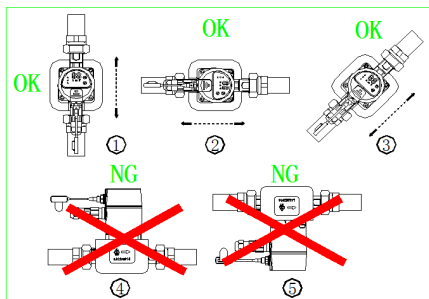
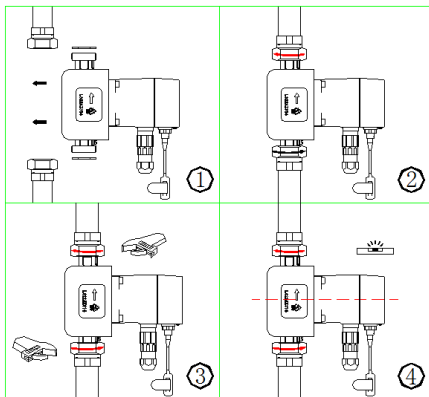


Warning

Installation must be carried out by a specialist in accordance with local codes and regulations.

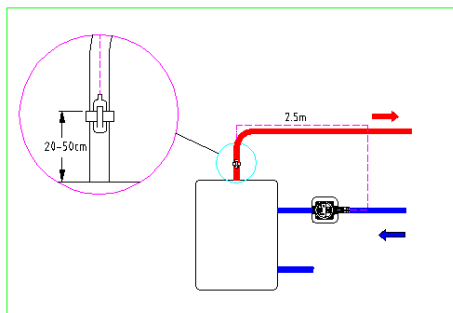
Pump housing

1. The arrows on the pump casing show the direction of liquid flow.
2. Before the pump is installed in the piping, install the two gaskets supplied with the pump.
Install the pump so that the position of the motor shaft and pump head meet the requirements in the section Pump Location Requirements
3. Tighten the fittings

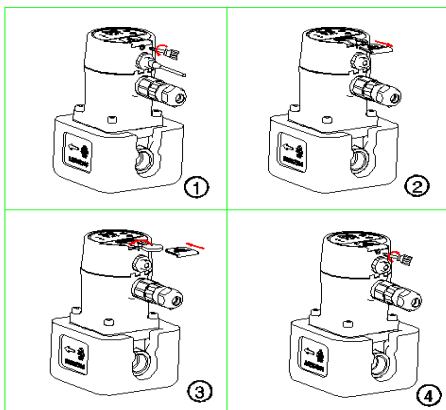


9. Connection of electrical equipment

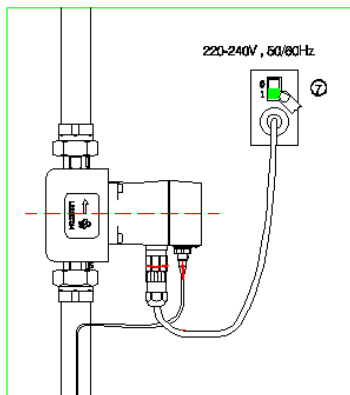
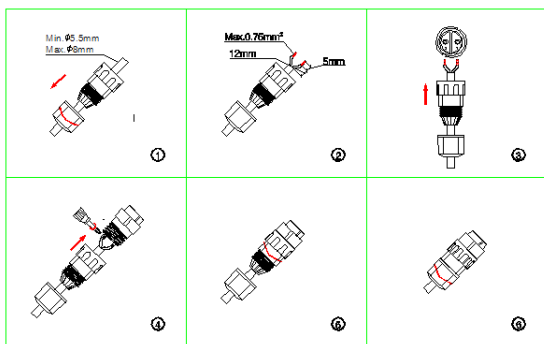
Schematic diagram for Installing Temperature Controlled Plug



Schematic diagram for Installing Battery



Electrical Connection



Electrical connection and protection shall comply with local codes and norms.

**Warning**

The motor pump needs no protection from external motor. Check if the supply voltage and frequency are the same as parameters indicated on the nameplate of the motor pump.

Connect the motor pump and power supply with the plug supplied together with the pump.

After the power is supplied, the indicator lamp on the control panel is ON.

10. Commissioning

Trouble-Shooting Schedule

**Warning**

Before conducting any maintenance and repair of the motor pump, ensure that power supply has been cut off and will not be connected accidentally.

Fault	Control Panel	Cause	Corrective Action
Motor pump cannot be started	Indication lamp "Off"	the circuit breaker of current control or voltage control opens	connect the circuit breaker
		Failure of motor pump	Replace the motor pump
		Under voltage	inspect whether power supply is in specified range
	"E2" Indicating"E2"	Over-current protection	Replace the motor pump
	"E4" Indicating"E4"	Open-phase protection	Replace the motor pump
	"E5" Indicating"E5"	Locked-rotor protection	Replace the motor pump
	"E6" Indicating"E6"	Motor start failure protection(Motor parameters do not match)	Replace the motor pump

11. Operation

The constant speed running mode

Motor pump runs in the constant speed when it is in constant speed running mode. Green light 1 as well as light 4 which is showing current power, will be always on while the light 7 will also be on.

The auto operation mode

Motor pump will automatically exert necessary adjustment according to current systematic performance when it is in the auto operation mode. Green light 2 as well as light 4 which is showing current power, will be always on while the light 7 will also be on.

Temperature control mode

Temperature sensor will obtain the feedback in terms of fluid temperature and make a judgment on whether start or stop when it is in the indicating temperature control mode. In such mode, the motor pump will stop when temperature is over 50 centigrade, but it will run in constant speed when temperature is below 36 centigrade. Green light 3, as well as light 4 which is showing current power, will be on while the light 7 will also be on.

Timing mode

Motor pump will run in constant speed within time set by time controller when it is in timing mode. The light 4 indicates the current time by showing the hour and minute alternately. When it comes to the hour, light 5 will be on while light 6 is on in the case of showing the minute. User can set and inquire the start and end time point for 3 periods about the running of pumps. And time points for 3 period are unnecessary to be reset when the power is off due to the controller can keep a record of running parameters set by users automatically.

Flushing function

When pumps are in the mode of standby for 8 hours, pumps will restart automatically and then flush the pipe for 15 minutes. At the moment, it runs in the constant speed mode. The flushing function is effective when it is in either Temperature control mode or Timing mode. Under the circumstance, the light 7 is on as well as light 4 is shining and the current running power is presented.

Key pressing specification

The factory setting for pumps is that it is in the constant speed running mode. When the power is on, Slightly pressing on “ 8 Ⓢ ” can help you switch between different running modes.(it can be switched among the constant speed running mode, the auto operation mode, temperature control mode and timing mode.)

Illustration for the timing mode setting

The light 4 will show the current time when it is in the timing mode. Hour and minute are presented alternately.

The first step: Entering the timing mode(only in the timing mode the setting of the timing mode is available.):

Pressing “ 8 Ⓢ ” and “ 9 Ⓢ ” for 3s then setting mode is activated. In the mode, light 4 is flashing and 88 positions shows the time period.(F0-F6)

The second step: settings for the current time and timing time:
When it comes to the setting mode, “88” can be switched from F0 to F6:

F0-F6 represents 7 time periods and their significance are presented below.

F0 settings on current time

F1 settings on the start time of the first period

F2 settings on the end time of the first period

F3 settings on the start time of the second period

F4 settings on the end time of the second period

F5 settings on the start time of the third period

F6 settings on the end time of the third period

After firstly pressing “ 9 Ⓞ ” for 3s,

Setting on hours is available (light 5 is flashing) and now the current hour is shown. When pressing “ 9 Ⓞ ”,one hour has been cut while pressing “ 8 Ⓞ ”vice versa.

If it is set then please secondly long press the “ 9 Ⓞ ”for 3s,

Setting on minute is available (light 5 is flashing). When pressing “ 9 Ⓞ ”,one minute has been cut while pressing “ 8 Ⓞ ”vice versa. After thirdly long pressing “ 9 Ⓞ ”for 3s

Settings on the next time period is available (For instance if F0 has been set currently, then next step is for F1) and others are the same.

The third step: Quit the setting mode :

When any state from F0 to F6 is shown on the 88 position, and after long pressing “ 8 Ⓞ ” and “ 9 Ⓞ ” for 3s, user can quit the setting mode; Now the time is shown normally (light 4 shows current time)

Range for time setting is 24 hours and all hour figure can be set from 0 to 23 as well as minute figure set from 0 to 59. Once finishing the setting and quit the corresponding mode, the hour and minute shows alternately;

For example: when showing 8 in terms of 8:30 AM, the light 5 is on and when it comes to 30 the light 6 is on.in addition, when showing 13 in terms of 1:25 PM, the light 5 is on and light 6 is on when it comes to showing the 25. It will take 2s for switching time and showing alternately.

If users don't need 3 time period timing function and only one of them is needed, the other two time periods are not necessary to be set in terms of factory settings.(both of them can also be set as some same time).

If users only need one time period ,which is from 17:30 to 21:30 ,to be set and running of pumps is not required at other time period, then we can make some adjustments as following:

Time period	Hour	Minute
F1	17	30
F2	21	30
F3	0	0
F4	0	0
F5	0	0
F6	0	0

The time for factory setting is defaultly set as 0 and it can be modified as any other identical values ,but it must make sure the rest of time periods shares the same.

Illustration for inquire on the time in timing mode:

In the timing mode:

After firstly long pressing the “ 8 ⏏ ” for 3s,

Now the inquiry function for setting time is activated and it shows the current time(F0). The figures for the hour and minute set by users are both showing alternately and at the same moment LED light is flashing. Then short press “ 8 ⏏ ” and F1 mode is available. It plays the same rules for others and such kind of function can help users to check the accuracy of time.

After long press “ 8 ⏏ ” for 3s, Then quit the inquiry mode.

Indication lamp area of power consumption of motor pump

After the power is connected, the light 4 is on and the monitor in Position 4 works.

During operation, the indicated value is in Watt, showing the actual power consumption of the motor pump.

When the motor pump fails to work, the monitor indicates :

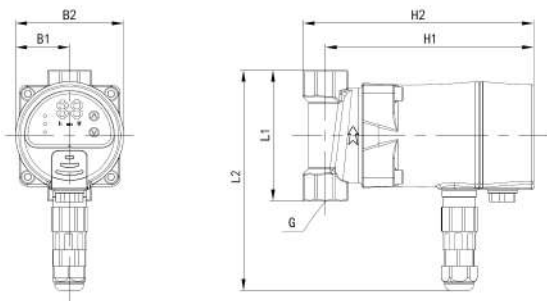
Fault Code	Description
E2	Over-current protection
E4	Open-phase protection- phase protection
E5	Locked-rotor protection
E6	Motor start failure protection (Motor parameters do not match)
light 3 Red LED light is on	Temperature sensor failure

If malfunction is detected, the power supply must be cut off before trouble-shooting. After the trouble is addressed, re-connect the power and start the motor pump.

12. Technical data

Power Supply Voltage	220-240V, 50/60Hz	
Motor Protection	the pump needs no external protection	
Degree of Protection	IP44	
Input power	8W	
Insulation Class	F	
Relative Humidity (RH)	Max. 95%	
The system pressure	1.0 MPa	
Suction Port Pressure	Liquid Temperature	Minimum Inlet Pressure
	≤+85 ℃	0.005 MPa
	≤+95 ℃	0.028 MPa
EMC Standard	EN61000-3-2 and EN61000-3-3 EN55014-1 and EN55014-2	
Sound Pressure Class	The sound pressure level of the motor pump is lower than 42dB (A)	
Ambient Temperature	0 ~ +40 ℃	
Temperature Grade	TF95	
Surface Temperature	The maximum surface temperature is not higher than +110 ℃	
Liquid Temperature	2 ~ +95 ℃	

13. Installation Dimensions



Pump type	Size [mm]						
	L1	L2	H1	H2	B1	B2	RP [inch]
Instant S	80	135	127.5	141	33	66	1/2

Meaning of symbols and inscriptions

Anhui Shinhoo Canned Motor Pump Co., Ltd provides 12 months' quality assurance for the products since the sales date, and shall be responsible for the product failure or damage caused by manufacturing and material defects. The warranty is on condition that the installation of product should be in line with Shinhoo Installation and Use Manual and recognized good operation specification.

This warranty does not apply to the product failure or damage caused by ① use the product other than for the usage recommended by Shinhoo; ② misuse of the product that does not conform to Shinhoo Installation and Use Manual; ③ improper maintenance and handling of product; ④ disassemble products and replace parts by oneself.

Any product provided rather than manufactured by Anhui Shinhoo Canned Motor Pump Co., Ltd should comply with the quality assurance provisions of the manufacturer.

Within warranty period, the product repair is guaranteed by purchase invoice and warranty bill. Please send or return the product in need of repair to the local dealer of Anhui Shinhoo Canned Motor Pump Co., Ltd. or designated maintenance point for repair. Anhui Shinhoo Canned Motor Pump Co., Ltd may determine whether home maintenance service shall be provided for free in accordance with its maintenance policies in the local. Guarantee repair of parts is free.

Anhui Shinhoo Canned Motor Pump Co., Ltd. will not accept claims to damage which should be borne by a third party or caused by product failure of any other company.

Anhui Shinhoo Canned Motor Pump Co., Ltd shall not be responsible for the product failure or damage due to abnormal operating conditions, war, riot, wind (rain) storm, disaster or other force majeure.

Anhui Shinhoo Canned Motor Pump Co., Ltd reserves the power of interpretation on the unaccomplished matter in the product warranty book.

Shinhoo®

Anhui Shinhoo Canned Motor Pump Co., Ltd.
Address:NO.780, MINGCHUAN ROAD, HI-TECH DEVELOPMENT ZONE, HEFEI, ANHUI, CHINA
Tel:0086 551 6237 9807 Fax:0086 551 6237 9801
E-mail:info@shinhoodump.com

www.shinhoodump.com